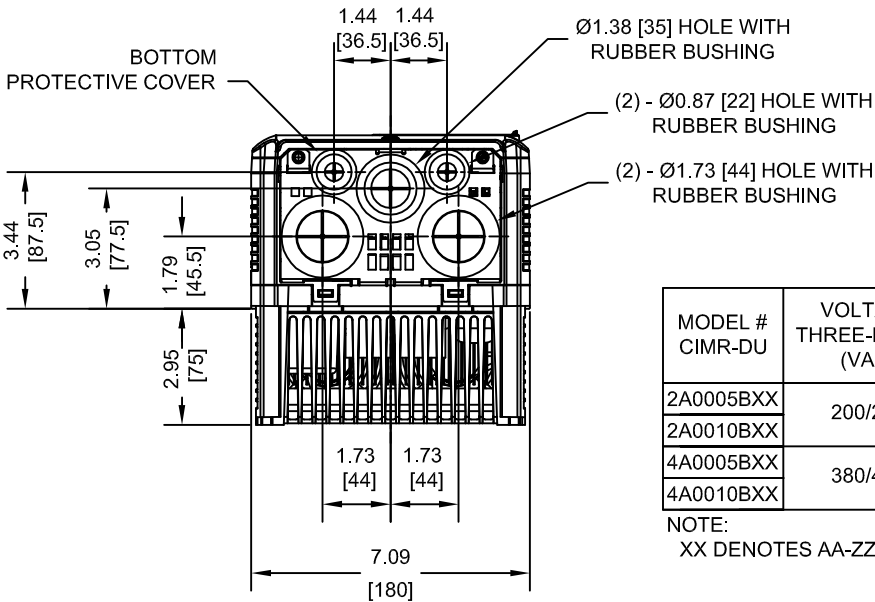
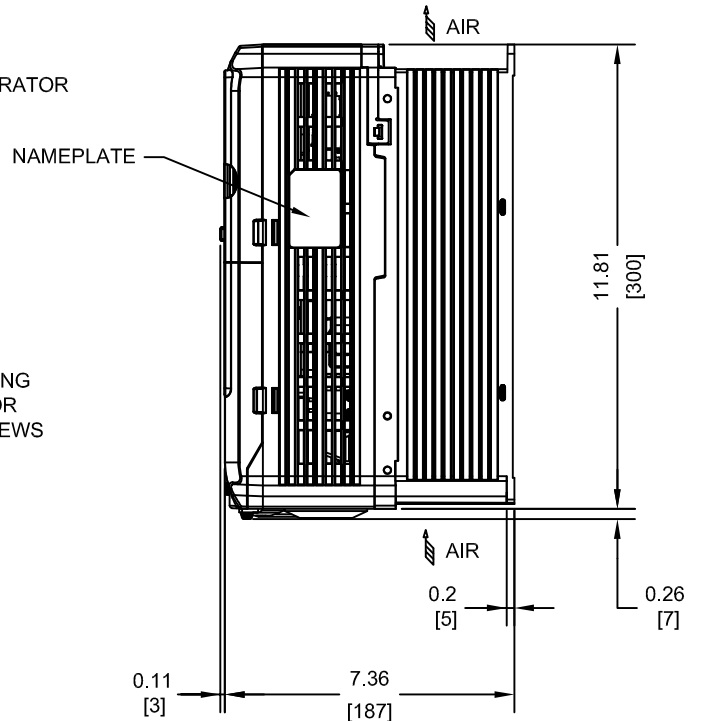
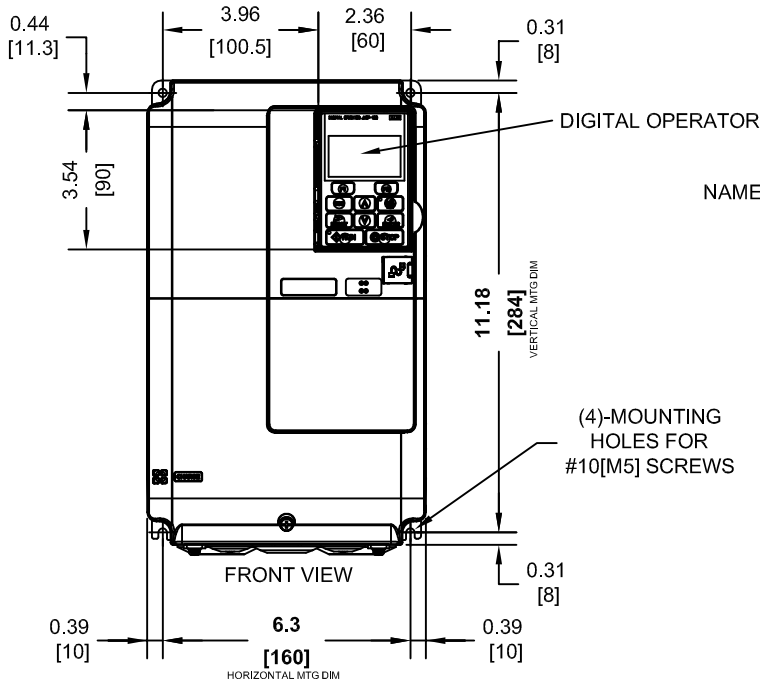


NOTE:
 PROTECTIVE COVERS ARE FACTORY INSTALLED TO THE TOP AND BOTTOM OF THE DRIVE TO MEET IP20 REQUIREMENTS, RESULTING IN AN AMBIENT TEMPERATURE RATING OF 104F(40C). REMOVE THESE COVERS WHEN OPERATING THE DRIVE WITHIN A PANEL TO OBTAIN THE MAXIMUM SURROUNDING AIR TEMPERATURE RATING OF 122F(50C). REMOVING THESE COVERS RESULTS IN AN ENCLOSURE RATING OF IP00.



MODEL # CIMR-DU	VOLTAGE THREE-PHASE (VAC)	OUTPUT CAPACITY (kW)	WEIGHT LBS (Kg)	HEAT LOSS (W) (Fc=6kHz)		
				INT	EXT	TOT
2A0005BXX	200/240	5	11.0 (5.0)	38	93	131
2A0010BXX		10	11.0 (5.0)	57	167	224
4A0005BXX	380/480	5	11.0 (5.0)	37	83	120
4A0010BXX		10	11.0 (5.0)	58	158	216

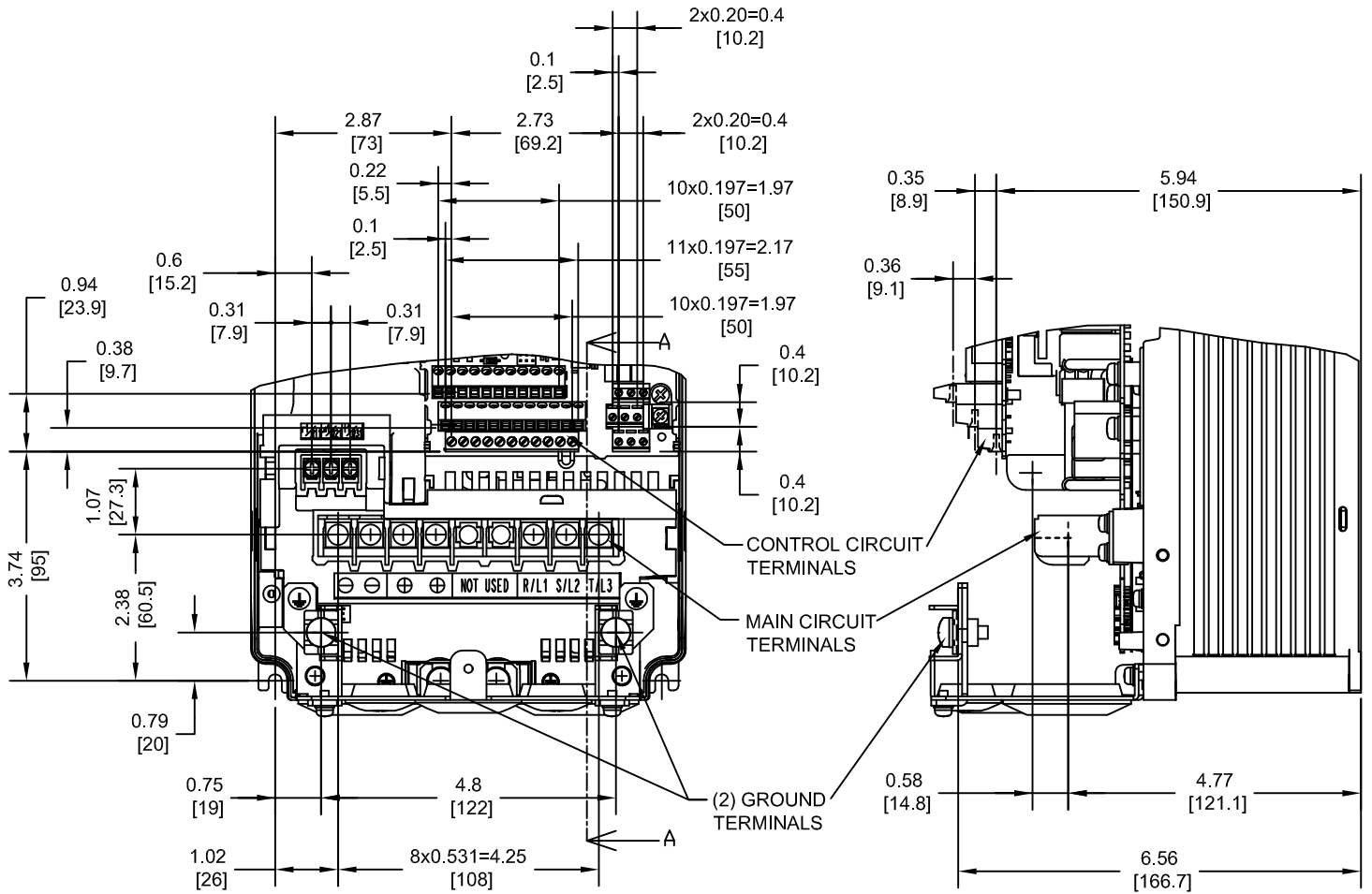
NOTE:
 XX DENOTES AA-ZZ

INT=INTERNAL COMPONENTS
 EXT=EXTERNAL HEATSINK
 TOT=TOTAL

FOR ADDITIONAL DETAILS AND SPECIFICATIONS, CONSULT MANUAL

TOLERANCES / REFERENCES:		<p>YASKAWA</p> <p>THIS DOCUMENT AND INFORMATION CONTAINED IN IT ARE CONFIDENTIAL, AND CANNOT BE COPIED OR DISCLOSED IN WHOLE OR IN PART WITHOUT THE EXPRESS WRITTEN CONSENT OF YASKAWA AMERICA, INC.</p>	DRAWN: J. MATTAS DATE: 7-15-14	TITLE: D1000 DIMENSION DRAWING FRAME SIZE 1 IP20 ENCLOSURE 2A0005B, 2A0010B, 4A0005B, 4A0010B
UNITS: IN [mm]	SCALE: 1:5		CHECKED: J. PIOTROWSKI DATE: 7-22-14	DATE: 7-24-14
		TECH: J. BORJA DATE: 7-24-14	DATE: 9-19-14	
		APPROVED: J. CAIRO DATE: 9-19-14	ORIGINAL DESIGN: -	
			DRAWING #: DD.D1K.FR1.IP20	
			SIZE: A REVISION: R00 PAGE: 1 of 3	

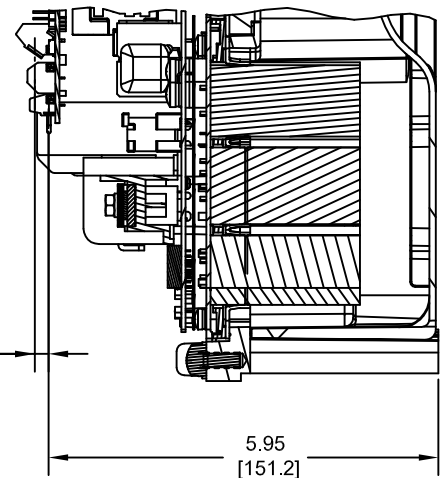
TERMINAL AND WIRING DETAILS (SCALE 1:3)



TERMINAL AND WIRE SPECIFICATIONS FOR MAIN CIRCUIT AND GROUND

MODEL # CIMR-DU	TERMINAL SYMBOL	TERMINAL SCREW	CLAMPING TORQUE lb.in.(N.m.)	WIRE RANGE AWG(mm ²)
2A0005B 2A0010B	R/L1, S/L2, T/L3, ⊖, ⊕	M4	18.6 TO 20.4 (2.1 TO 2.3)	12-6 (3.3-13.3)
4A0005B 4A0010B	r1/211, s1/221, t1/231 ⊕	M3.5 M6	7.1 TO 8.9 (0.8 TO 1.0) 47.8 TO 53.1 (5.4 TO 6)	14 (2.0) 16-10 (1.3-5.2)

NOTE: REFER TO APPLICABLE CODES FOR PROPER WIRE TYPE AND SIZE

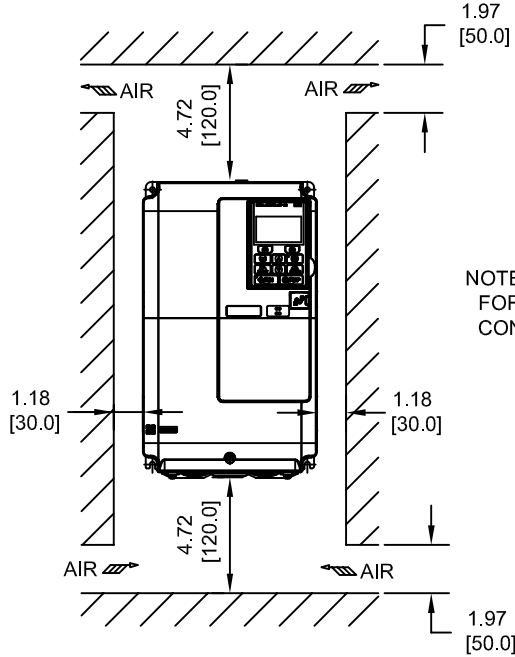


SECTION A-A

FOR ADDITIONAL DETAILS AND SPECIFICATIONS, CONSULT MANUAL

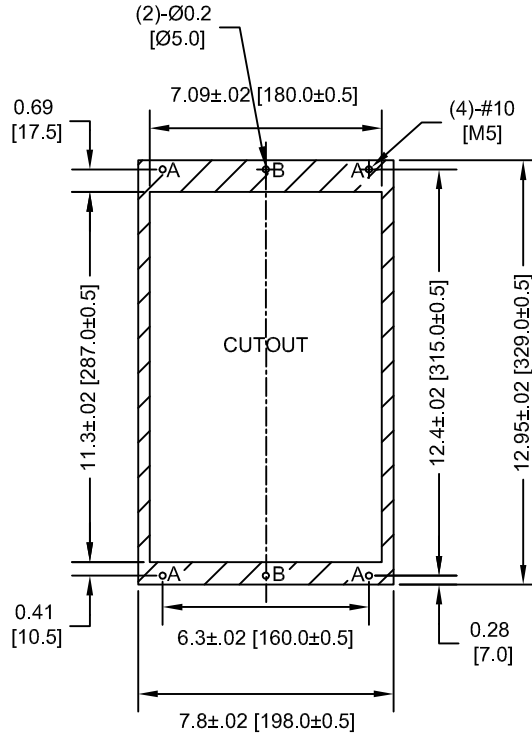
TOLERANCES / REFERENCES:			DRAWN: J. MATTAS DATE: 7-15-14	TITLE: D1000 DIMENSION DRAWING FRAME SIZE 1 IP20 ENCLOSURE 2A0005B, 2A0010B, 4A0005B, 4A0010B	
UNITS: IN [mm]	SCALE: BY VIEW		CHECKED: J. PIOTROWSKI DATE: 7-22-14	TECH: J. BORJA DATE: 7-24-14	APPROVED: J. CAIRO DATE: 9-19-14
		THIS DOCUMENT AND INFORMATION CONTAINED IN IT ARE CONFIDENTIAL, AND CANNOT BE COPIED OR DISCLOSED IN WHOLE OR IN PART WITHOUT THE EXPRESS WRITTEN CONSENT OF YASKAWA AMERICA, INC.	ORIGINAL DESIGN: -	DATE: -	DRAWING #: DD.D1K.FR1.IP20

MINIMUM INSTALLATION CLEARANCES (SCALE 1:8)



NOTE:
FOR SIDE-BY-SIDE MOUNTING
CONSULT MANUAL

PANEL CUTOUT FOR EXTERNAL HEATSINK
MOUNTING CONFIGURATION (SCALE 1:6)



NOTES:

- EXTERNAL HEATSINK CONFIGURATION REQUIRES MOUNTING KIT
- EXPOSED HEATSINK RECOMMENDED CLEARANCE D=3.15" MINUS PANEL THICKNESS

FOR ADDITIONAL DETAILS AND SPECIFICATIONS, CONSULT MANUAL

TOLERANCES / REFERENCES:			DRAWN: J. MATTAS	DATE: 7-15-14	TITLE: D1000 DIMENSION DRAWING FRAME SIZE 1 IP20 ENCLOSURE 2A0005B, 2A0010B, 4A0005B, 4A0010B	
			CHECKED: J. PIOTROWSKI	DATE: 7-22-14		
		THIS DOCUMENT AND INFORMATION CONTAINED IN IT ARE CONFIDENTIAL, AND CANNOT BE COPIED OR DISCLOSED IN WHOLE OR IN PART WITHOUT THE EXPRESS WRITTEN CONSENT OF YASKAWA AMERICA, INC.	TECH: J. BORJA	DATE: 7-24-14	SIZE: A	
			APPROVED: J. CAIRO	DATE: 9-19-14	REVISION: R00	PAGE: 3 of 3
UNITS: IN [mm]	SCALE: BY VIEW		ORIGINAL DESIGN: -	DATE: -	DRAWING #: DD.D1K.FR1.IP20	